

TYPE PMDF PRIMARY-METERING PAD-MOUNTED SWITCHGEAR



Federal Pacific three-phase primary-metering cabinets meet applicable industry standards, which include ANSI 386 and IEEE C57.12.28, and are available in ratings of 15kV through 35kV. The flexible design can accommodate several different types of current transformers and potential transformers, providing a convenient, weather protected, tamper-resistant enclosure for revenue metering at primary voltages on underground cable systems.

The PMDF termination compartment features a dead-front steel barrier with six (radial) or nine (loop) Federal Pacific 200 amp bushing wells accommodating loadbreak inserts and elbows. Optional 600 amp bushings are available. In addition, accessory parking stands and three 1/2" stainless steel grounding nuts are included. Large door openings provide excellent accessibility for elbow operation. All doors are padlockable with rugged three-point latching.

The instrument transformer compartment has provisions for mounting CTs and PTs (not included). A ground bus is provided and located for easy access to PT's. An insulated, hinged inner door is standard.

PMDF enclosures are 11-gauge hot-rolled steel, all welded construction. High quality steel, corrosion-resistant hardware, chemical cleaning and phosphatizing corrosion resistant epoxy-powder primer and a baked powder top coat make the anti-corrosion coating system a leader in the industry. Standard finish color is pad-mount green, Munsell notation 7GY3.29/1.5. Optional colors are available. Special coatings are available for severe environments. The underside of the roof is coated with a "no-drip" anti-condensation compound.

Primary-metering requirements are also available in custom designs incorporating fusing and switching arrangements. Consult factory.



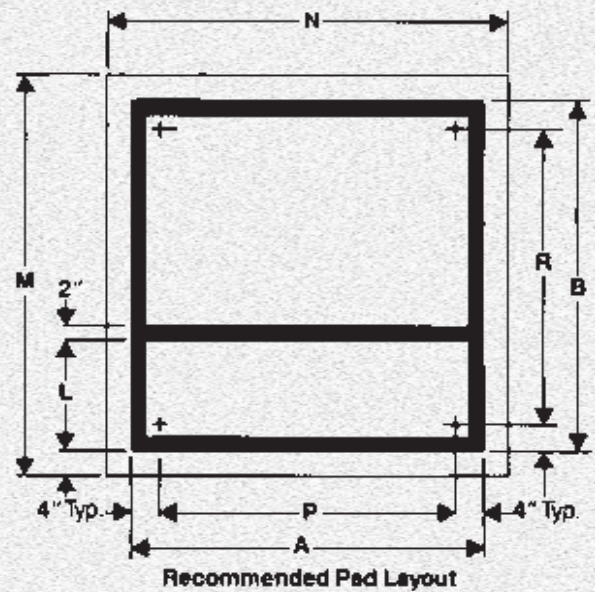
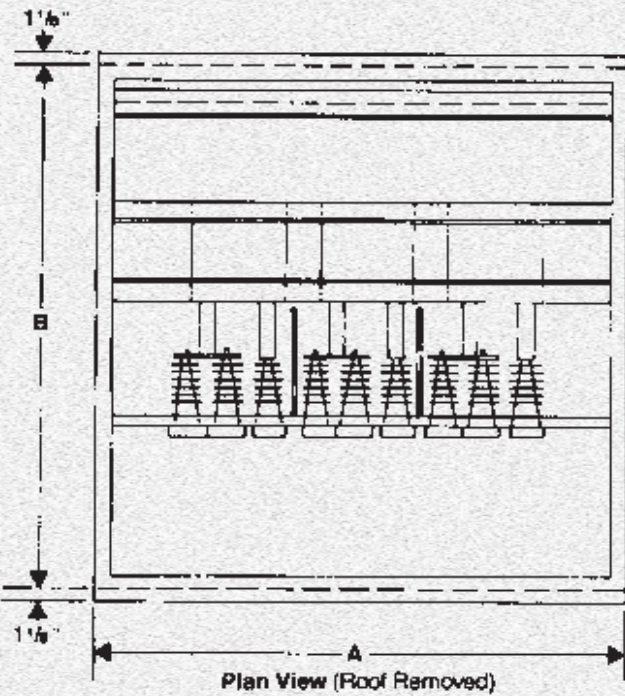
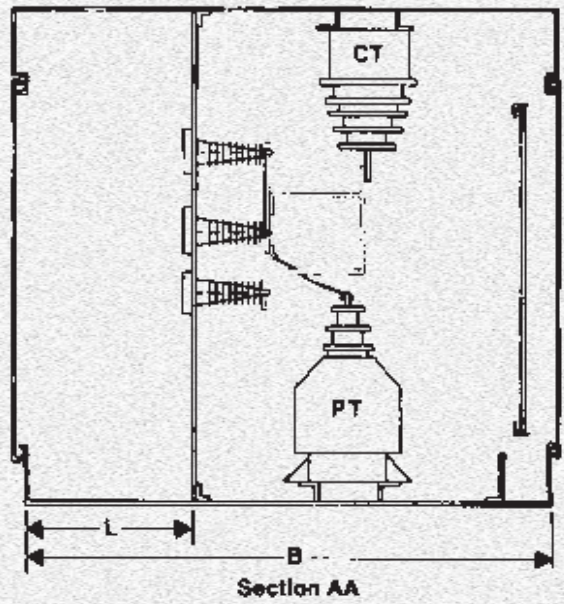
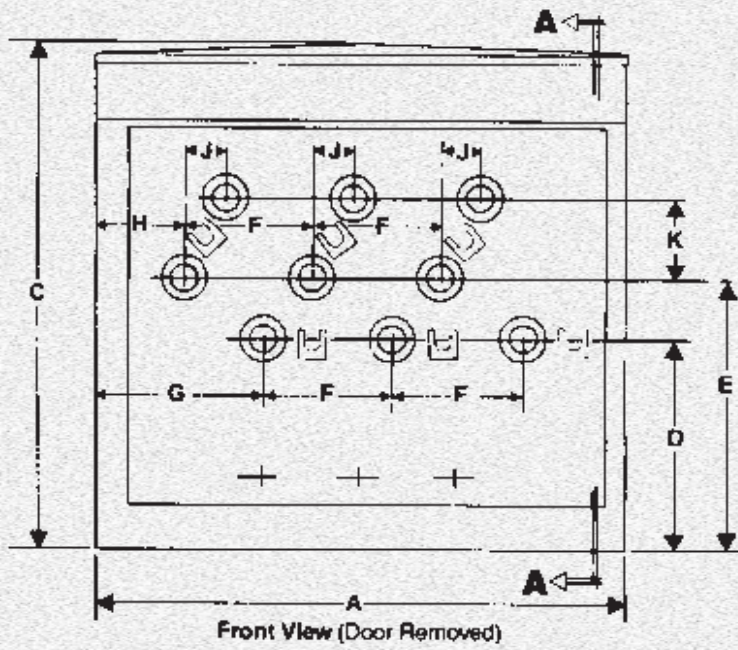
Elbow Compartment



Metering Transformer Compartment With Hinged Barriers Bolted Closed



Metering Transformer Compartment With Barriers Secured Open



Catalog Number	Volt Nom.	kV BIL	Dimensions - Inches														
			A	B	C	D	E	F	G	H	J	K	L	M	N	P	R
PMDf-315-R6-200	15	95	54	54	51	22	28	14	14	7	NA	NA	22	62	62	46	46
PMDf-315-L9-200	15	95	54	54	51	22	28	14	14	7	5	8-5/8	22	62	62	46	46
PMDf-325-R6-200	25	125	66	66	51	24-1/2	30-1/2	17-1/2	16	8-1/2	NA	NA	24	74	74	58	58
PMDf-325-L9-200	25	125	66	66	51	24-1/2	30-1/2	17-1/2	16	8-1/2	6	8-3/8	24	74	74	58	58
PMDf-335-R6-200	35	150	76	66	53	24-1/2	33	22-1/2	18-5/16	12-9/16	5-5/8	8-1/2	24	74	84	68	58