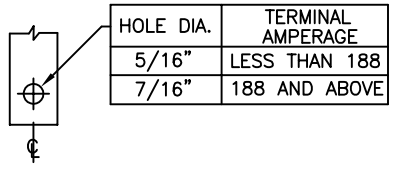


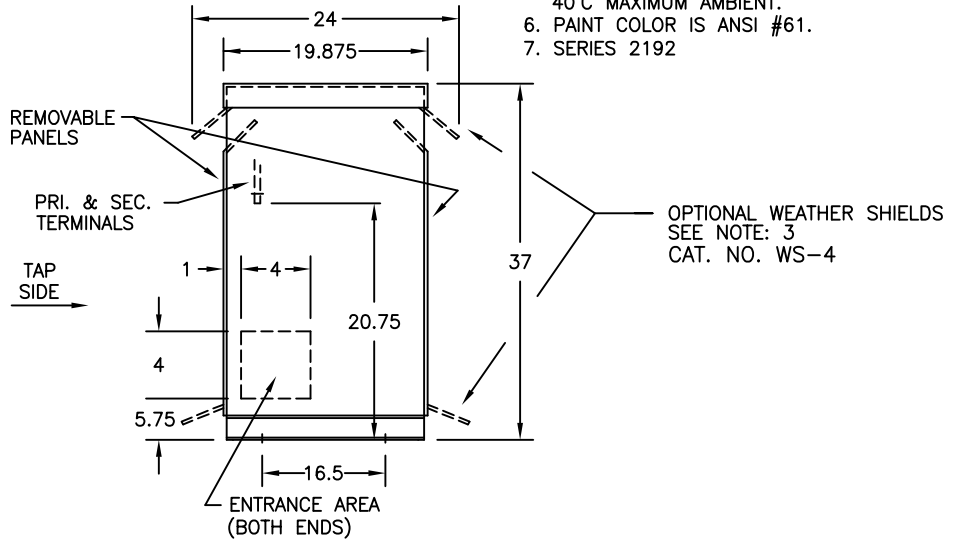
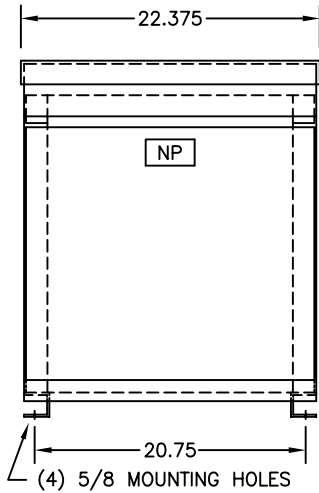
TYPICAL WIRING DIAGRAM



PRI & SEC TERMINAL

NOTES:

1. ALL UNITS ARE UL LISTED AND ARE DESIGNED IN ACCORDANCE WITH APPLICABLE NEMA, ANSI, AND IEEE STANDARDS.
2. TRANSFORMERS ARE DRY-TYPE, CLASS AA, VENTILATED NEMA 2 ENCLOSURE FOR INDOOR USE.
3. WITH INSTALLATION OF OPTIONAL WEATHER SHIELDS, TRANSFORMER BECOMES NEMA 3R FOR OUTDOOR USE.
4. TRANSFORMERS ARE FLOOR MOUNTED. WALL MOUNTING BRACKETS ARE OPTIONAL AND ARE SUPPLIED AS SEPARATE ACCESSORIES.
5. TRANSFORMERS HAVE 220°C CLASS INSULATION SYSTEM WITH THE AVERAGE WINDING TEMPERATURE RISE BASED ON 40°C MAXIMUM AMBIENT.
6. PAINT COLOR IS ANSI #61.
7. SERIES 2192



UNIT WEIGHT REF. (B)

| NET WT. IN LBS. | A | B | C | D | E | F |
|-----------------|-----|-----|-----|-----|-----|-----|
| ALUMINUM | 300 | 335 | 315 | 270 | 350 | 430 |
| COPPER | 328 | 390 | 345 | 300 | 390 | |

* ELECTROSTATIC SHIELD GROUNDED TO TRANSFORMER CASE AT FACTORY IF APPLICABLE

| |
|--|
| DRAWINGS |
| <input type="checkbox"/> APPROVAL |
| <input checked="" type="checkbox"/> RECORD |
| <input type="checkbox"/> OTHER |

NOT FOR CONSTRUCTION PURPOSES. CONSULT FACTORY FOR CERTIFIED DIMENSIONS

| | | | |
|------------------------|---|-------------|--|
| QUANTITY | | CUST. | |
| KVA | | JOB | |
| PRIMARY VOLTAGE | | P.O. | |
| SECONDARY VOLTAGE | | S.O. | |
| TEMPERATURE RISE IN °C | | CATALOG NO. | |
| WINDINGS & TERMINALS | <input type="checkbox"/> ALUMINUM <input type="checkbox"/> COPPER | | |
| FREQUENCY | | BY | RG |
| TAPS | | DATE | 3/25/03 |
| | | REV | 4 |
| | | DATE | 6/04/09 |
| | | ENG. LOG. | TITLE |
| | | MFG. LOG. | TP1 ENERGY EFFICIENT COMPLIANT DRY TYPE TRANSFORMER GENERAL PURPOSE SINGLE PHASE, 600 VOLT CLASS |
| | | DWG. NO. | |
| | | DWG. FILE | D4805A1254- |