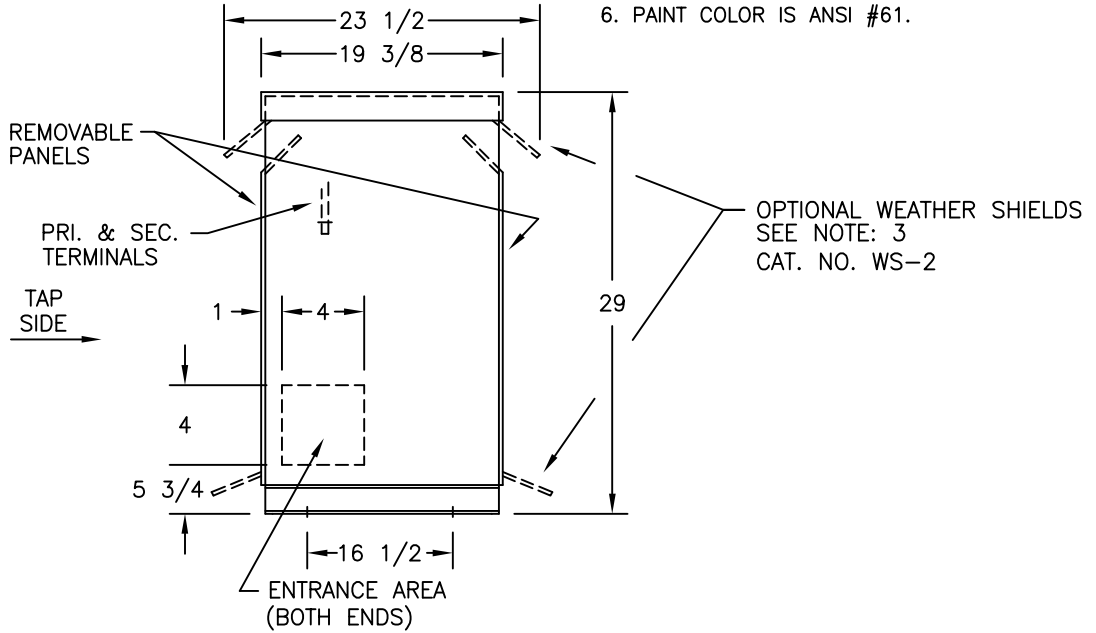
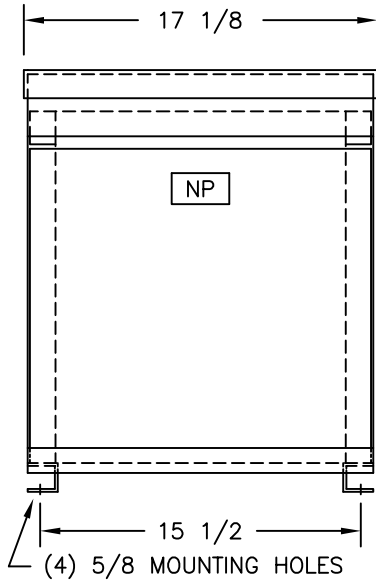
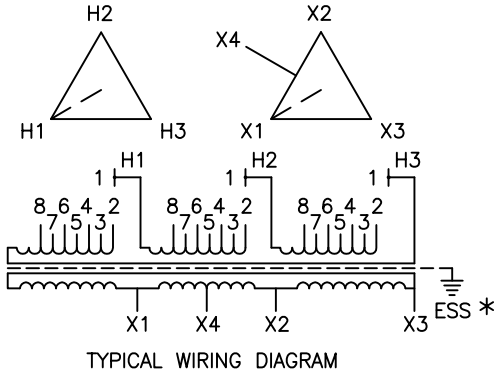
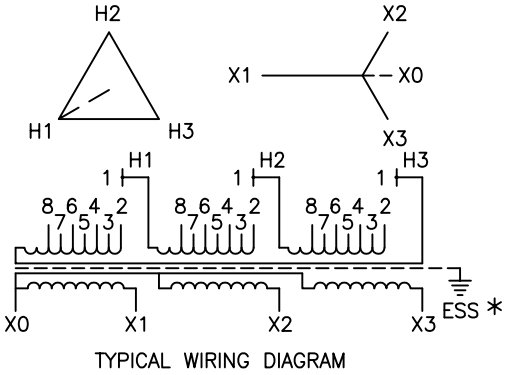


X4 LIGHTING TAP
IF APPLICABLE

NOTES:

1. ALL UNITS ARE UL LISTED AND ARE DESIGNED IN ACCORDANCE WITH APPLICABLE NEMA, ANSI, AND IEEE STANDARDS.
2. TRANSFORMERS ARE DRY-TYPE, CLASS AA, VENTILATED NEMA 2 ENCLOSURE FOR INDOOR USE.
3. WITH INSTALLATION OF OPTIONAL WEATHER SHIELDS, TRANSFORMER BECOMES NEMA 3R FOR OUTDOOR USE.
4. TRANSFORMERS ARE FLOOR MOUNTED. WALL MOUNTING BRACKETS ARE OPTIONAL AND ARE SUPPLIED AS SEPARATE ACCESSORIES.
5. TRANSFORMERS HAVE 220°C CLASS INSULATION SYSTEM WITH THE AVERAGE WINDING TEMPERATURE RISE BASED ON 40°C MAXIMUM AMBIENT.
6. PAINT COLOR IS ANSI #61.



UNIT WEIGHT REF. (C)

NET WT. IN LBS.	A	B	C	D
ALUMINUM	145	160	185	215
COPPER	165	195	200	240

* ELECTROSTATIC SHIELD GROUNDED TO TRANSFORMER CASE AT FACTORY IF APPLICABLE

DRAWINGS

APPROVAL

RECORD

OTHER

NOT FOR CONSTRUCTION PURPOSES. CONSULT FACTORY FOR CERTIFIED DIMENSIONS

QUANTITY				CUST.
KVA				JOB
PRIMARY VOLTAGE				P.O.
SECONDARY VOLTAGE				S.O.
TEMPERATURE RISE IN °C				CATALOG NO.
WINDINGS & TERMINALS	<input type="checkbox"/> ALUMINUM	<input type="checkbox"/> COPPER		
FREQUENCY			BY SV	TITLE TP1 ENERGY EFFICIENT COMPLIANT DRY TYPE TRANSFORMER GENERAL PURPOSE THREE PHASE, 600 VOLT CLASS
TAPS			DATE 7/17/02	
			REV 2	MFG. LOG. DWG. NO.
			DATE: 11/20/03	DWG. FILE D4808A3221-

HOLD FOR APPROVAL AND/OR RELEASE ORDERS ARE VALID FOR 60 DAYS. PRICE IS SUBJECT TO CHANGE AFTER 60 DAYS.