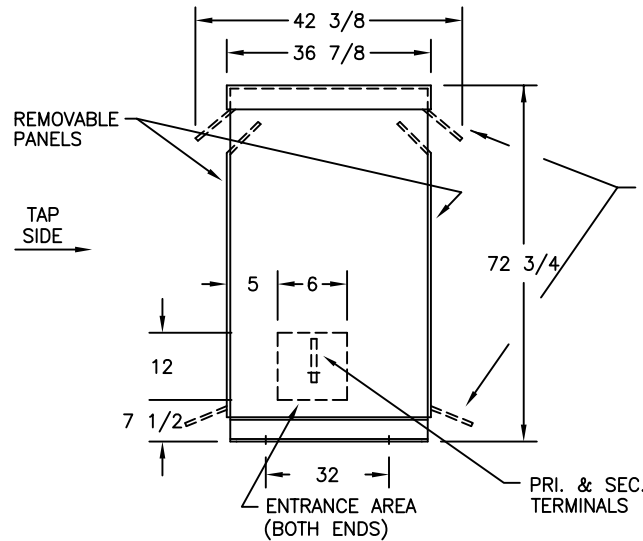
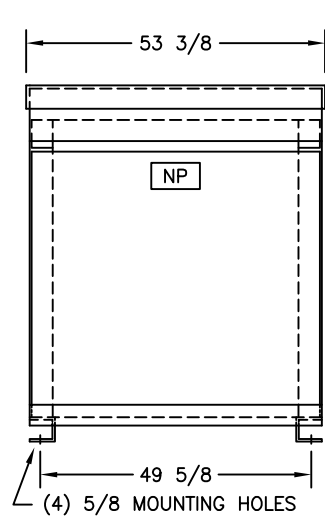
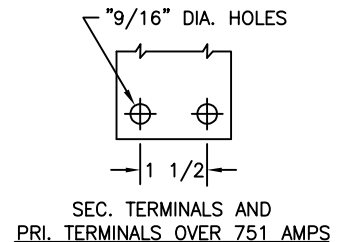
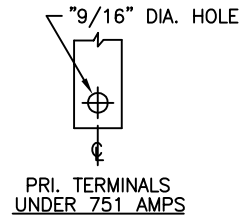


NOTES:

1. ALL UNITS ARE UL LISTED AND ARE DESIGNED IN ACCORDANCE WITH APPLICABLE NEMA, ANSI, AND IEEE STANDARDS.
2. TRANSFORMERS ARE DRY-TYPE, CLASS AA, VENTILATED NEMA 2 ENCLOSURE FOR INDOOR USE.
3. WITH INSTALLATION OF OPTIONAL WEATHER SHIELDS, TRANSFORMER BECOMES NEMA 3R FOR OUTDOOR USE.
4. TRANSFORMERS ARE FLOOR MOUNTED.
5. TRANSFORMERS HAVE 220°C CLASS INSULATION SYSTEM WITH THE AVERAGE WINDING TEMPERATURE RISE BASED ON 40°C MAXIMUM AMBIENT.
6. PAINT COLOR IS ANSI #61.



OPTIONAL WEATHER SHIELDS
SEE NOTE: 3
CAT. NO. WS-16



Δ UNIT WEIGHT REF.(B)

NET WT. IN LBS.	A	B	C	D
ALUMINUM	1875	2335	3100	2620
COPPER	2100	2700	3550	3000

* ELECTROSTATIC SHIELD GROUNDED TO TRANSFORMER CASE AT FACTORY IF APPLICABLE

DRAWINGS
<input type="checkbox"/> APPROVAL
<input checked="" type="checkbox"/> RECORD
<input type="checkbox"/> OTHER

NOT FOR CONSTRUCTION PURPOSES. CONSULT FACTORY FOR CERTIFIED DIMENSIONS

QUANTITY		CUST.	
KVA		JOB	
PRIMARY VOLTAGE		P.O.	
SECONDARY VOLTAGE		S.O.	
TEMPERATURE RISE IN °C		CATALOG NO.	
WINDINGS & TERMINALS	<input type="checkbox"/> ALUMINUM <input type="checkbox"/> COPPER		
FREQUENCY		BY SV	ENG. LOG.
TAPS		DATE 7/19/02	TITLE TP1 ENERGY EFFICIENT COMPLIANT DRY TYPE TRANSFORMER GENERAL PURPOSE THREE PHASE, 600 VOLT CLASS
FEDERAL PACIFIC		REV 2	MFG. LOG.
		DATE: 3/21/03	DWG. FILE
			DWG. NO. D4808A3228-