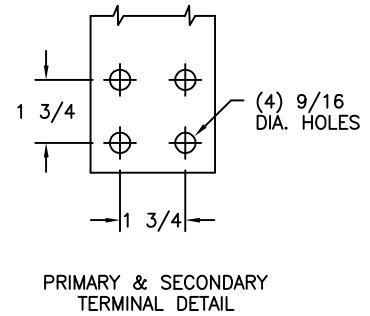
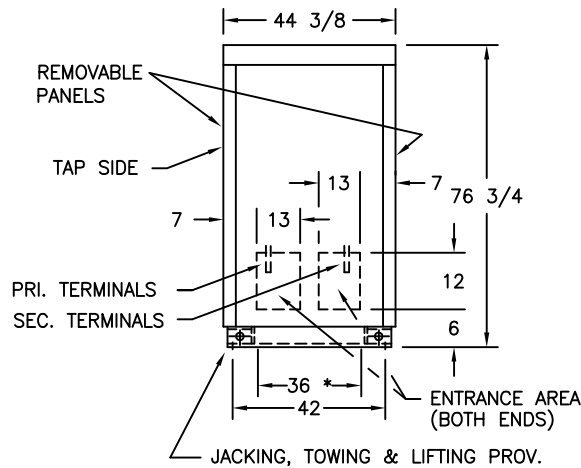
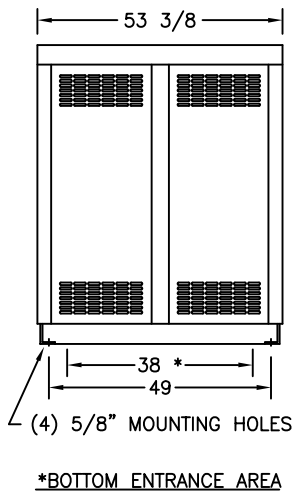


**NOTES:**

1. ALL UNITS ARE UL LISTED AND ARE DESIGNED IN ACCORDANCE WITH APPLICABLE NEMA AND ANSI STANDARDS.
2. TRANSFORMERS ARE DRY-TYPE, CLASS AA, VENTILATED ENCLOSURE FOR INDOOR USE.
3. TRANSFORMERS ARE FLOOR MOUNTED.
4. TRANSFORMERS HAVE 220°C CLASS INSULATION SYSTEM WITH THE AVERAGE WINDING TEMPERATURE RISE BASED ON 40°C MAXIMUM AMBIENT.
5. PAINT COLOR IS ANSI #61.
6. SERIES 3592



**UNIT WEIGHT REF. (A)**

NET WT. IN LBS.	A
ALUMINUM	3280
COPPER	3800

\* ELECTROSTATIC SHIELD GROUNDED TO TRANSFORMER CASE AT FACTORY IF APPLICABLE

DRAWINGS
<input type="checkbox"/> APPROVAL
<input checked="" type="checkbox"/> RECORD
<input type="checkbox"/> OTHER

NOT FOR CONSTRUCTION PURPOSES. CONSULT FACTORY FOR CERTIFIED DIMENSIONS

QUANTITY		CUST.	
KVA		JOB	
PRIMARY VOLTAGE		P.O.	
SECONDARY VOLTAGE		S.O.	
TEMPERATURE RISE IN °C		CATALOG NO.	
WINDINGS & TERMINALS	<input type="checkbox"/> ALUMINUM <input type="checkbox"/> COPPER		
FREQUENCY		BY SV	ENG. LOG.
TAPS		DATE 7/19/02	TITLE TP1 ENERGY EFFICIENT COMPLIANT DRY TYPE TRANSFORMER GENERAL PURPOSE THREE PHASE, 600 VOLT CLASS
<b>FEDERAL PACIFIC</b>		REV	MFG. LOG.
		DATE:	DWG. FILE
			DWG. NO. D4808A3229-