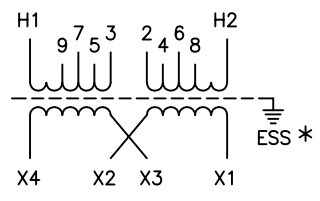


NOTES:

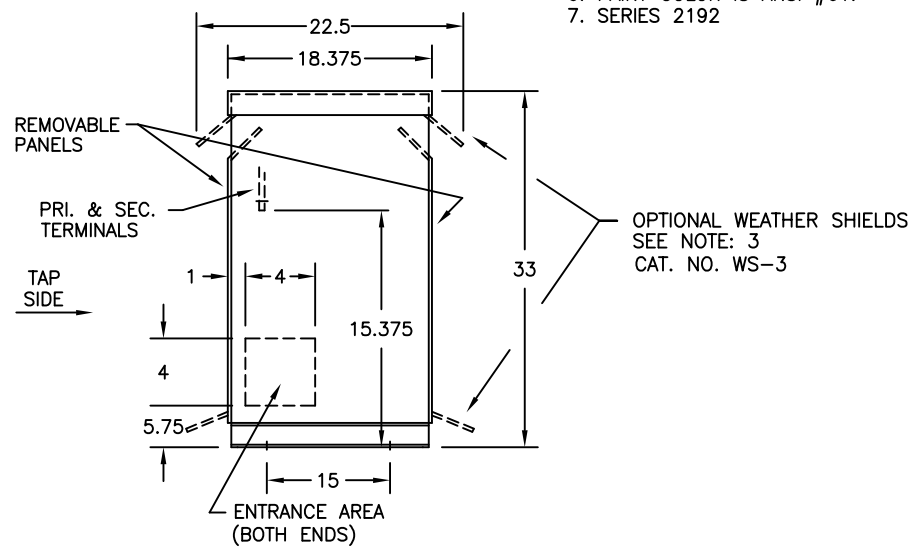
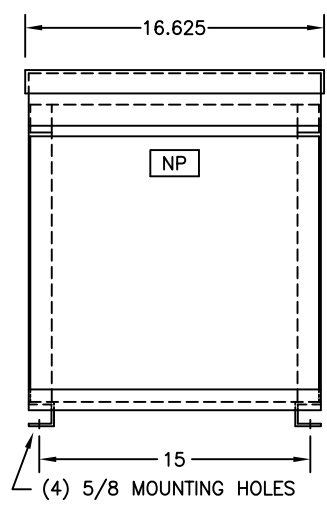
1. ALL UNITS ARE UL LISTED AND ARE DESIGNED IN ACCORDANCE WITH APPLICABLE NEMA, ANSI, AND IEEE STANDARDS.
2. TRANSFORMERS ARE DRY-TYPE, CLASS AA, VENTILATED NEMA 2 ENCLOSURE FOR INDOOR USE.
3. WITH INSTALLATION OF OPTIONAL WEATHER SHIELDS, TRANSFORMER BECOMES NEMA 3R FOR OUTDOOR USE.
4. TRANSFORMERS ARE FLOOR MOUNTED. WALL MOUNTING BRACKETS ARE OPTIONAL AND ARE SUPPLIED AS SEPARATE ACCESSORIES.
5. TRANSFORMERS HAVE 220°C CLASS INSULATION SYSTEM WITH THE AVERAGE WINDING TEMPERATURE RISE BASED ON 40°C MAXIMUM AMBIENT.
6. PAINT COLOR IS ANSI #61.
7. SERIES 2192



TYPICAL WIRING DIAGRAM

HOLE DIA.	TERMINAL AMPERAGE
5/16"	LESS THAN 188
7/16"	188 AND ABOVE

PRI & SEC TERMINAL



UNIT WEIGHT REF. (B)

NET WT. IN LBS.	A	B	C
ALUMINUM	165	190	226
COPPER	180	220	257

* ELECTROSTATIC SHIELD GROUNDED TO TRANSFORMER CASE AT FACTORY IF APPLICABLE

<input type="checkbox"/> APPROVAL
<input type="checkbox"/> RECORD
<input type="checkbox"/> OTHER

NOT FOR CONSTRUCTION PURPOSES. CONSULT FACTORY FOR CERTIFIED DIMENSIONS

QUANTITY	1	CUST.	
KVA	25	JOB	
PRIMARY VOLTAGE	204 X 480	P.O.	
SECONDARY VOLTAGE	120/240	S.O.	
TEMPERATURE RISE IN °C	150	CATALOG NO.	S2T25E
WINDINGS & TERMINALS	<input checked="" type="checkbox"/> ALUMINUM <input type="checkbox"/> COPPER		
FREQUENCY	60	BY	RSG
TAPS	+2, -4 X 2 1/2%	DATE	3/25/03
FEDERAL PACIFIC	REV	1	MFG. LOG.
	DATE:	4/15/04	DWG. FILE
			DWG. NO.
			D4805A1253-