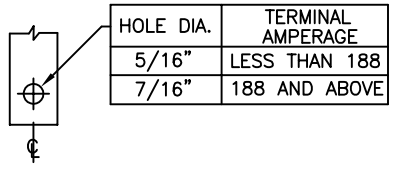


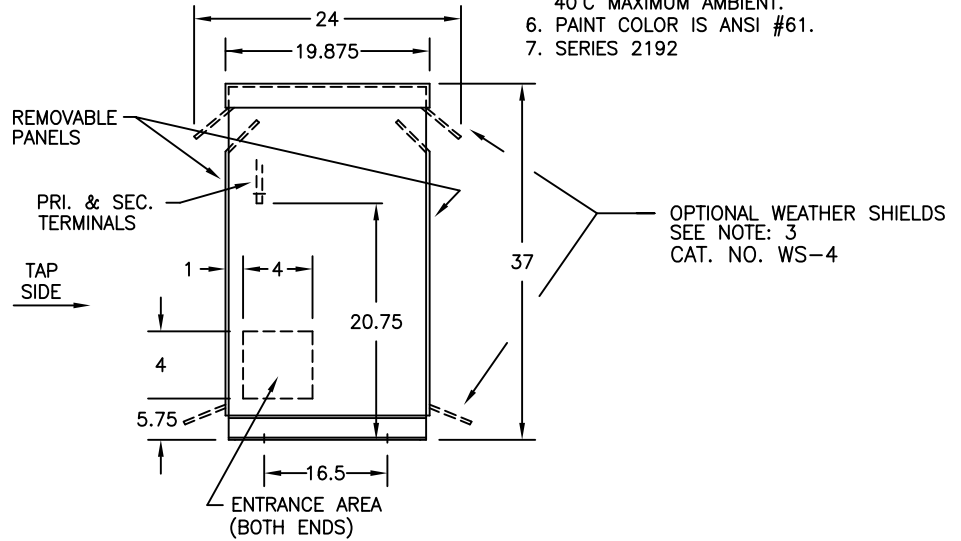
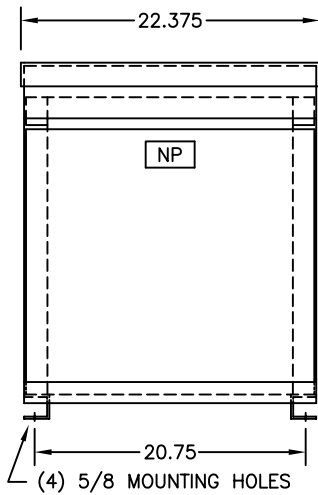
TYPICAL WIRING DIAGRAM



PRI & SEC TERMINAL

**NOTES:**

1. ALL UNITS ARE UL LISTED AND ARE DESIGNED IN ACCORDANCE WITH APPLICABLE NEMA, ANSI, AND IEEE STANDARDS.
2. TRANSFORMERS ARE DRY-TYPE, CLASS AA, VENTILATED NEMA 2 ENCLOSURE FOR INDOOR USE.
3. WITH INSTALLATION OF OPTIONAL WEATHER SHIELDS, TRANSFORMER BECOMES NEMA 3R FOR OUTDOOR USE.
4. TRANSFORMERS ARE FLOOR MOUNTED. WALL MOUNTING BRACKETS ARE OPTIONAL AND ARE SUPPLIED AS SEPARATE ACCESSORIES.
5. TRANSFORMERS HAVE 220°C CLASS INSULATION SYSTEM WITH THE AVERAGE WINDING TEMPERATURE RISE BASED ON 40°C MAXIMUM AMBIENT.
6. PAINT COLOR IS ANSI #61.
7. SERIES 2192



**UNIT WEIGHT REF. (B)**

NET WT. IN LBS.	A	B	C	D	E	F
ALUMINUM	300	335	315	270	350	430
COPPER	328	390	345	300	390	

\* ELECTROSTATIC SHIELD GROUNDED TO TRANSFORMER CASE AT FACTORY IF APPLICABLE

DRAWINGS
<input type="checkbox"/> APPROVAL
<input checked="" type="checkbox"/> RECORD
<input type="checkbox"/> OTHER

NOT FOR CONSTRUCTION PURPOSES. CONSULT FACTORY FOR CERTIFIED DIMENSIONS

QUANTITY	1	CUST.	
KVA	50	JOB	
PRIMARY VOLTAGE	240 X 480	P.O.	
SECONDARY VOLTAGE	120/240	S.O.	
TEMPERATURE RISE IN °C	150	CATALOG NO.	S2T50E
WINDINGS & TERMINALS	<input checked="" type="checkbox"/> ALUMINUM <input type="checkbox"/> COPPER		
FREQUENCY	60	BY	RG
TAPS	+2, -4 X 2 1/2%	DATE	3/25/03
<b>FEDERAL PACIFIC</b>		REV	4
		DATE:	6/04/09
		ENG. LOG.	TITLE
		MFG. LOG.	TP1 ENERGY EFFICIENT COMPLIANT DRY TYPE TRANSFORMER GENERAL PURPOSE SINGLE PHASE, 600 VOLT CLASS
		DWG. NO.	
		DWG. FILE	D4805A1254-