

A Complete Solution – Designed to Fit Your Solar and Wind Farm Needs



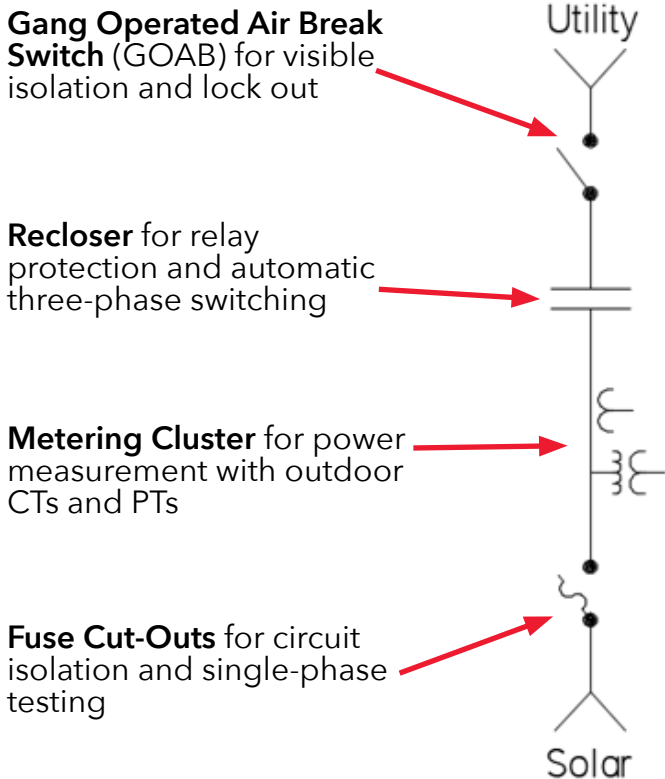
Federal Pacific produces air-insulated switchgear products for underground medium-voltage distribution and grid-tie switchgear for battery storage, solar and wind farms. These products are designed to provide specific functions required for renewable energy applications, without the unnecessary extra features often found in individual power components. The drop-in preconfigured, prewired and pretested GRIDCONNEX[™] gear reduces installation costs.

Let Federal Pacific provide a complete pad-mount underground solution eliminating the need for medium-voltage grid-tie overhead equipment.

Federal Pacific's grid-tie products provide a single, complete solution that eliminates over-head components. These overhead components typically include a gang operated air break switch (GOAB) for visible isolation and lock out, reclosers for relay protection and automatic three-phase switching, metering clusters for power measurement with outdoor current and voltage transformers, and fuse cut-outs for circuit isolation and single phase testing. These are replaced by our Auto-jet® switch, gear mounted instrument transformers and a circuit breaker, all in one enclosure and pre-wired to an isolated low-voltage control compartment.

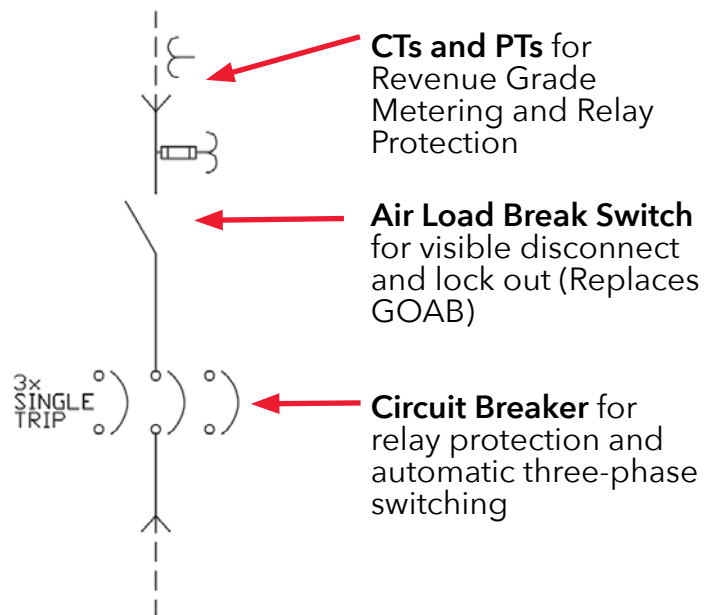


Discrete components that must all be connected together on Site:



The GRIDCONNEX® Way:

Everything is pre-engineered and housed in a single enclosure:



Functionality

- Switching • Visible Isolation • Lock-Out • Relay Protection • Monitoring & SCADA Support
- Revenue Metering

Cross Section Indicating Power Components for a Standard Grid Tie

200A or 600A

IEEE 386 Dead Front Connections
(In and Out)

Lightning Arresters

Vacuum Breakers

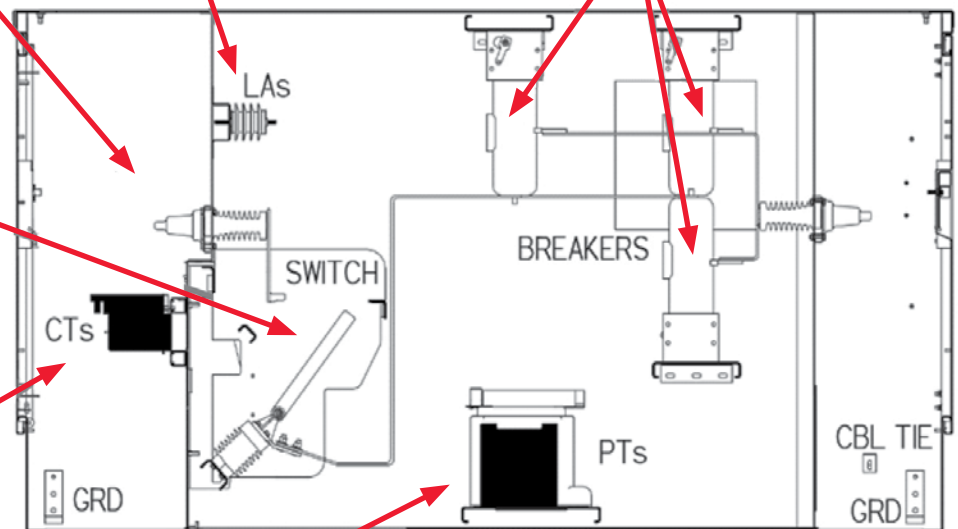
Three Independent Single-Phase Poles
(Eliminate the Field Side Cut-outs)

Auto-Jet® Air Load Break Switch

Visible Disconnect & Lock-out
(Replaces GOAB)

CTs for Metering and Protection
(Replaces Metering Cluster)

Revenue Grade PTs for Metering
and a Separate PT for Control
Power (Replaces Metering Cluster)



Typical Specifications*

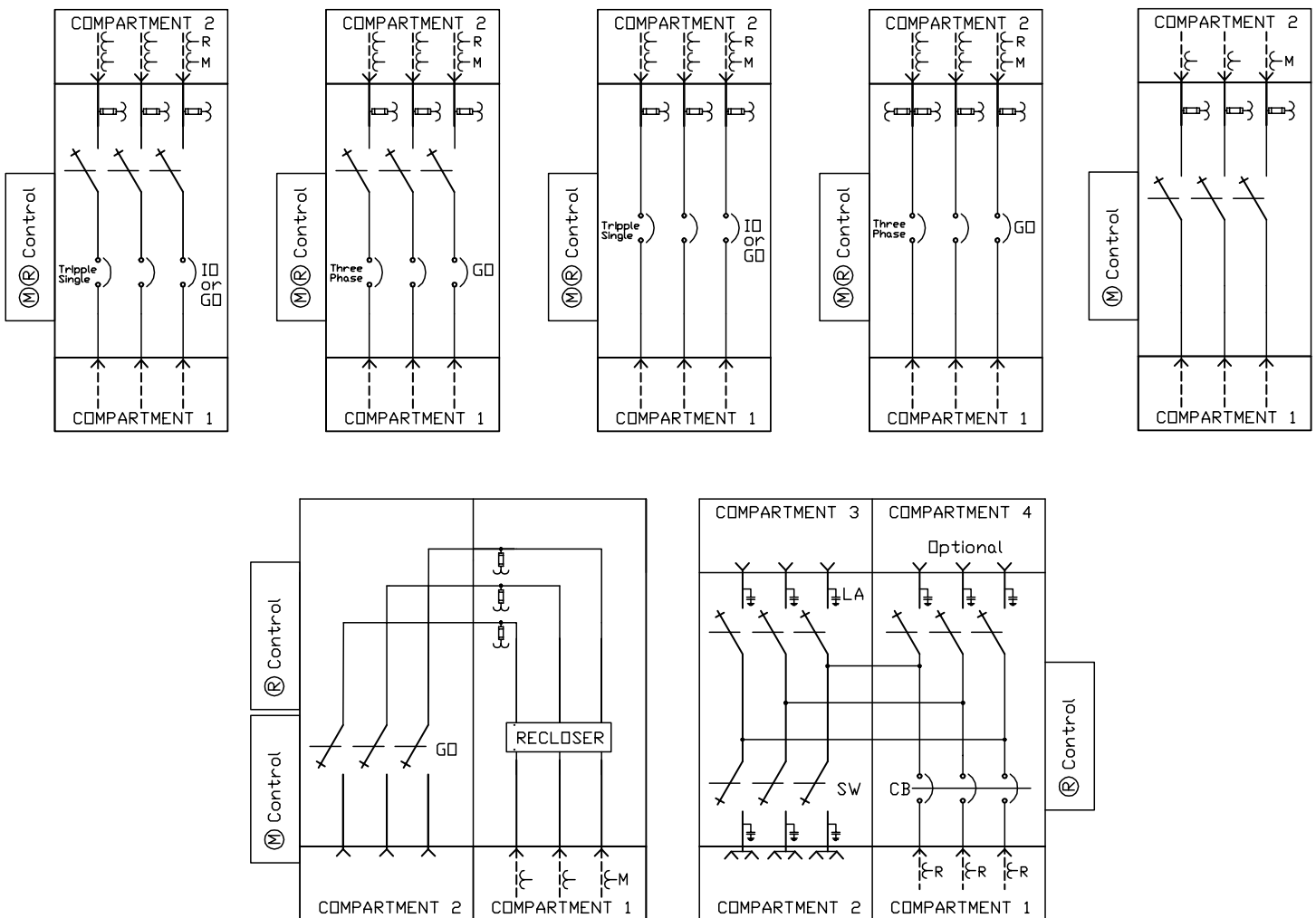
Voltage Class	5kV	15kV	25kV	35kV
Estimated Dimensions (LxWxH)	99 x 48 x 63	99 x 48 x 63	99 x 60 x 83	118 x 57 x 75
Interrupting Rating (SYM)	20,000 A	20,000 A	16,000 A	16,000 A
BIL Rating	60kV	95kV	125kV	150kV
Current Rating	Up to 1200A Continuous			
Frequency	60 Hz			
Enclosure Material	11-Gauge Mild Steel (Stainless-Steel Available Option)			
Standards	ANSI & NEMA Pad-Mounted Switchgear Standards			

*Consult factory for alternate ratings.

OPTIONS

- Side Mounted Low-Voltage Control Cabinet (Optional Door-In-Door)
- Meters and Relays (Installed and Pre-Wired)
- Integral Control Power For Space Heaters And Control
- Dual Bushings for High Ampacity or Loop Feeding
- Standard White Finish Color. Also Available In Munsell 7Gy3.39/1 Dark Green or Ansi 61 Light Gray.
- Uninterruptible Power Supply (Ups)
- Scada Equipment
- Copper or Aluminum Bus
- Lightning Arrestors

TYPICAL **GRIDCONNEX** CONFIGURATIONS*



*Consult factory for custom configurations.

